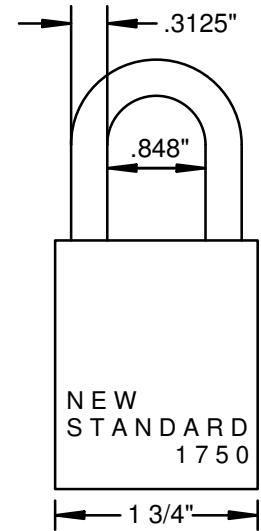
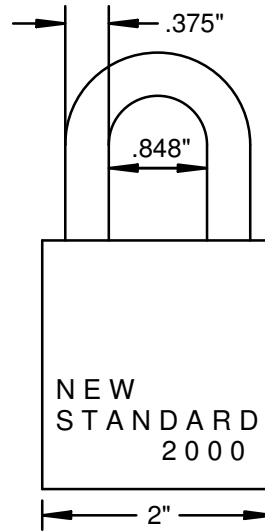
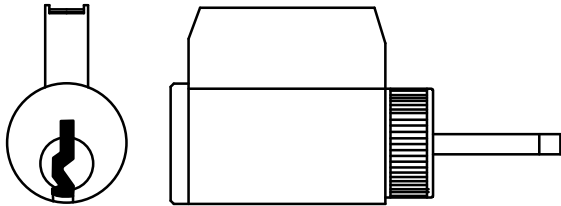


NEW STANDARD® MFG. CO

ADAPTABLE PADLOCK SYSTEM™

FOR SCHLAGE TYPE
KNOB CYLINDERS



ACCEPTS ORIGINAL 5 OR 6
PIN CYLINDERS FOR

SCHLAGE A & D SERIES

* KABA * MEDECO * ABLOY *
ASSA * ILCO * WINKHAUS * ALL 5 *
GMS * SCHLAGE PRIMUS &
EVEREST * MUL-T-LOCK & ANY
OTHER SCHLAGE STYLE
CYLINDER

ANY CYLINDER OF THE SCHLAGE
STYLE, ORIGINAL OR IMITATION,
COPY OR CLONE, CAN BE
INSTALLED IN THIS PADLOCK
WITHOUT ADAPTERS.

ACCEPTS CYLINDERS WITH
HORIZONTAL OR VERTICAL
TAILPIECE.

COMPETITIVELY PRICED

PATENTED

MADE IN U. S. A.

SYSTEM WIDE FEATURES
COMMON TO ALL MODELS

INVENTORS OF THE DUAL
FUNCTION PADLOCK
OUR NON-KEY RETAINING
CONVERTIBLE (NKR-CV) FUNCTION
PADLOCK'S PATENTED DESIGN
ALLOWS LOCKSMITH TO CHOOSE
PADLOCK FUNCTION; KR (KEY
RETAINING) OR NKR (NON-KEY
RETAINING) AT TIME OF CYLINDER
INSTALLATION. STOCK ONE MODEL
FOR EITHER FUNCTION REQUEST,
CUT INVENTORY IN HALF!
ECONOMICAL KR (KEY RETAINING)
ONLY MODEL ALSO AVAILABLE.

ELLIPTICAL SOLID BRASS BODY

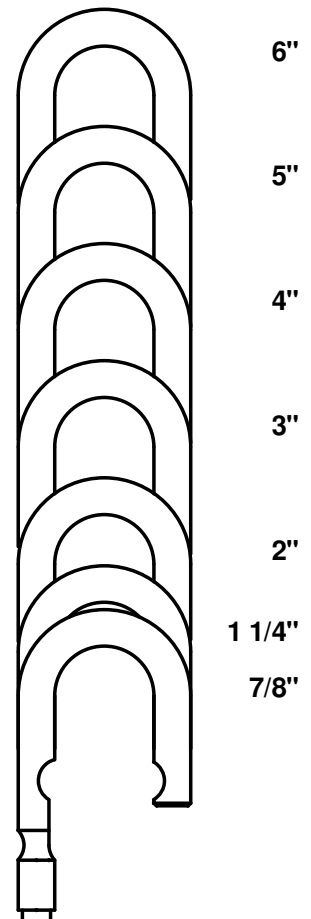
DOUBLE BALL LOCKING DESIGN

1 3/4" (MODEL 1750) OR 2" (MODEL
2000) BODY WIDTHS

FURNISHED: LESS CYLINDER

ALL PARTS ARE CORROSION
RESISTANT STAINLESS STEEL OR
BRASS AND ARE COMPLETELY
INTERCHANGEABLE.

3 SHACKLE MATERIALS:
HARDENED STEEL, STAINLESS
STEEL, AND BRASS, 7 BASIC
SHACKLE LENGTHS, 8" AND 12"
AVAILABLE IN STAINLESS STEEL.
(1 1/4" IS STANDARD)



DISTRIBUTED BY:

NEW STANDARD
MANUFACTURING COMPANY
7005 SPEEDWAY
BLVD., BLDG. F111
LAS VEGAS, NEVADA 89115
702-649-0599 FAX 702-649-0544
e-mail:
newstandardmfg@mindspring.com

PRICE LIST: NEW STANDARD PADLOCKS FOR SCHLAGE TYPE KEY-IN-KNOB CYLINDERS

September 1, 2011

PADLOCKS WITH HARDENED STEEL SHACKLES

DESCRIPTION	7/8"	1 1/4"	2"	3"	4"	5"	6"
1750 KR	175-107	175-112	175-120	175-130	175-140	175-150	175-160
KR FUNCTION ONLY	\$ 38.17	\$ 38.17	\$ 39.77	\$ 42.69	\$ 44.99	\$ 46.99	\$ 49.31
2000 KR	200-107	200-112	200-120	200-130	200-140	200-150	200-160
KR FUNCTION ONLY	\$ 46.03	\$ 46.03	\$ 47.97	\$ 51.97	\$ 54.47	\$ 57.75	\$ 60.27
1750 CONVERTIBLE	375-107	375-112	375-120	375-130	375-140	375-150	375-160
DUAL FUNCTION: KR OR NKR	\$ 39.22	\$ 39.22	\$ 40.82	\$ 43.74	\$ 46.04	\$ 48.04	\$ 50.36
2000 CONVERTIBLE	400-107	400-112	400-120	400-130	400-140	400-150	400-160
DUAL FUNCTION: KR OR NKR	\$ 47.11	\$ 47.11	\$ 49.05	\$ 53.05	\$ 55.55	\$ 58.83	\$ 61.35

PADLOCKS WITH STAINLESS STEEL SHACKLES

DESCRIPTION	7/8"	1 1/4"	2"	3"	4"	5"	6"
1750 KR	175-007	175-012	175-020	175-030	175-040	175-050	175-060
KR FUNCTION ONLY	\$ 38.17	\$ 38.17	\$ 39.77	\$ 42.69	\$ 44.99	\$ 46.99	\$ 49.31
2000 KR	200-007	200-012	200-020	200-030	200-040	200-050	200-060
KR FUNCTION ONLY	\$ 46.03	\$ 46.03	\$ 47.97	\$ 51.97	\$ 54.47	\$ 57.75	\$ 60.27
1750 CONVERTIBLE	375-007	375-012	375-020	375-030	375-040	375-050	375-060
DUAL FUNCTION: KR OR NKR	\$ 39.22	\$ 39.22	\$ 40.82	\$ 43.74	\$ 46.04	\$ 48.04	\$ 50.36
2000 CONVERTIBLE	400-007	400-012	400-020	400-030	400-040	400-050	400-060
DUAL FUNCTION: KR OR NKR	\$ 47.11	\$ 47.11	\$ 49.05	\$ 53.05	\$ 55.55	\$ 58.83	\$ 61.35

PADLOCKS WITH BRASS SHACKLES

DESCRIPTION	7/8"	1 1/4"	2"	3"	4"	5"	6"
1750 KR	175-207	175-212	175-220	175-230	175-240	175-250	175-260
KR FUNCTION ONLY	\$ 38.17	\$ 38.17	\$ 39.77	\$ 42.69	\$ 44.99	\$ 46.99	\$ 49.31
2000 KR	200-207	200-212	200-220	200-230	200-240	200-250	200-260
KR FUNCTION ONLY	\$ 46.03	\$ 46.03	\$ 47.97	\$ 51.97	\$ 54.47	\$ 57.75	\$ 60.27
1750 CONVERTIBLE	375-207	375-212	375-220	375-230	375-240	375-250	375-260
DUAL FUNCTION: KR OR NKR	\$ 39.22	\$ 39.22	\$ 40.82	\$ 43.74	\$ 46.04	\$ 48.04	\$ 50.36
2000 CONVERTIBLE	400-207	400-212	400-220	400-230	400-240	400-250	400-260
DUAL FUNCTION: KR OR NKR	\$ 47.11	\$ 47.11	\$ 49.05	\$ 53.05	\$ 55.55	\$ 58.83	\$ 61.35

PADLOCK BODIES ONLY, COMPLETE, LESS SHACKLE

DESCRIPTION	
1750 KR	175-000
KR FUNCTION ONLY	\$ 30.51
2000 KR	200-000
KR FUNCTION ONLY	\$ 35.81
1750 CONVERTIBLE	375-000
DUAL FUNCTION: KR OR NKR	\$ 31.56
2000 CONVERTIBLE	400-000
DUAL FUNCTION: KR OR NKR	\$ 36.89

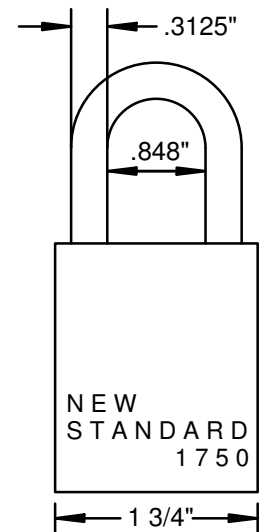
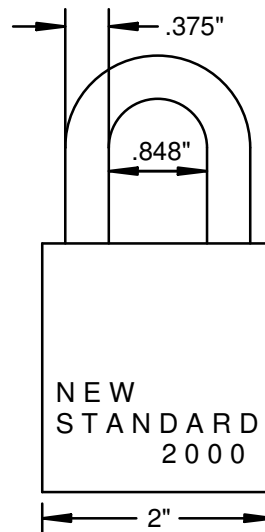
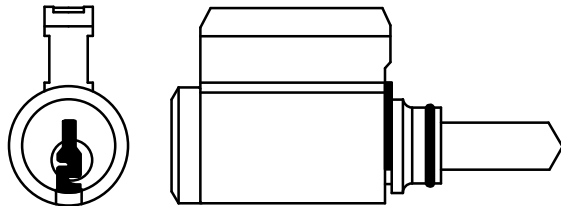
SHACKLES ONLY

DESCRIPTION	7/8"	1 1/4"	2"	3"	4"	5"	6"	8"	12"
FOR MODEL 1750	917-107	917-112	917-120	917-130	917-140	917-150	917-160		
HARDENED STEEL	\$ 7.66	\$ 7.66	\$ 9.26	\$ 12.18	\$ 14.48	\$ 16.48	\$ 18.80		
STAINLESS STEEL	\$ 7.66	\$ 7.66	\$ 9.26	\$ 12.18	\$ 14.48	\$ 16.48	\$ 18.80	\$ 28.96	\$ 37.60
BRASS	\$ 7.66	\$ 7.66	\$ 9.26	\$ 12.18	\$ 14.48	\$ 16.48	\$ 18.80		
FOR MODEL 2000	920-107	920-112	920-120	920-130	920-140	920-150	920-160		
HARDENED STEEL	\$ 10.22	\$ 10.22	\$ 12.16	\$ 16.16	\$ 18.66	\$ 21.94	\$ 24.46		
STAINLESS STEEL	\$ 10.22	\$ 10.22	\$ 12.16	\$ 16.16	\$ 18.66	\$ 21.94	\$ 24.46	\$ 37.36	\$ 48.90
BRASS	\$ 10.22	\$ 10.22	\$ 12.16	\$ 16.16	\$ 18.66	\$ 21.94	\$ 24.46		

NEW STANDARD® MFG. CO

ADAPTABLE PADLOCK SYSTEM™

FOR SARGENT-ARROW
KNOB CYLINDERS



ACCEPTS ORIGINAL CYLINDERS
FOR:

SARGENT:
6, 7 AND 10-LINE

OR

ARROW
H & M SERIES

NO ADAPTERS REQUIRED

ALSO ACCEPTS SCHLAGE TYPE
KNOB CYLINDERS

ACCEPTS CYLINDERS WITH
HORIZONTAL OR VERTICAL
TAILPIECE.

COMPETITIVELY PRICED

PATENTED

MADE IN U. S. A.

SYSTEM WIDE FEATURES
COMMON TO ALL MODELS

INVENTORS OF THE DUAL
FUNCTION PADLOCK
OUR NON-KEY RETAINING
CONVERTIBLE (NKR-CV) FUNCTION
PADLOCK'S PATENTED DESIGN
ALLOWS LOCKSMITH TO CHOOSE
PADLOCK FUNCTION; KR (KEY
RETAINING) OR NKR (NON-KEY
RETAINING) AT TIME OF CYLINDER
INSTALLATION. STOCK ONE MODEL
FOR EITHER FUNCTION REQUEST,
CUT INVENTORY IN HALF!
ECONOMICAL KR (KEY RETAINING)
ONLY MODEL ALSO AVAILABLE.

ELLIPTICAL SOLID BRASS BODY

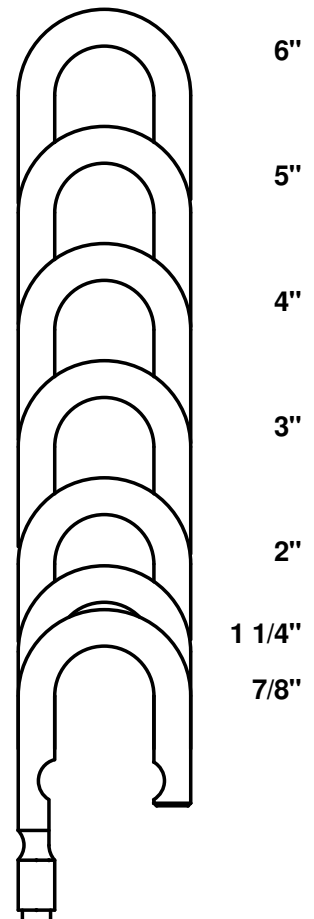
DOUBLE BALL LOCKING DESIGN

1 3/4" (MODEL 1750) OR 2" (MODEL
2000) BODY WIDTHS

FURNISHED: LESS CYLINDER

ALL PARTS ARE CORROSION
RESISTANT STAINLESS STEEL OR
BRASS AND ARE COMPLETELY
INTERCHANGEABLE.

3 SHACKLE MATERIALS:
HARDENED STEEL, STAINLESS
STEEL, AND BRASS, 7 BASIC
SHACKLE LENGTHS, 8" AND 12"
AVAILABLE IN STAINLESS STEEL.
(1 1/4" IS STANDARD)



DISTRIBUTED BY:

NEW STANDARD
MANUFACTURING COMPANY
7005 SPEEDWAY
BLVD., BLDG. F111
LAS VEGAS, NEVADA 89115
702-649-0599 FAX 702-649-0544
e-mail:
newstandardmfg@mindspring.com

**PRICE LIST: NEW STANDARD PADLOCKS FOR SARGENT OR ARROW TYPE KEY-IN-KNOB
CYLINDERS**

September 1, 2011

PADLOCKS WITH HARDENED STEEL SHACKLES

DESCRIPTION	7/8"	1 1/4"	2"	3"	4"	5"	6"
1750 KR	176-107	176-112	176-120	176-130	176-140	176-150	176-160
KR FUNCTION ONLY	\$ 38.17	\$ 38.17	\$ 39.77	\$ 42.69	\$ 44.99	\$ 46.99	\$ 49.31
2000 KR	201-107	201-112	201-120	201-130	201-140	201-150	201-160
KR FUNCTION ONLY	\$ 46.03	\$ 46.03	\$ 47.97	\$ 51.97	\$ 54.47	\$ 57.75	\$ 60.27
1750 CONVERTIBLE	376-107	376-112	376-120	376-130	376-140	376-150	376-160
DUAL FUNCTION: KR OR NKR	\$ 39.22	\$ 39.22	\$ 40.82	\$ 43.74	\$ 46.04	\$ 48.04	\$ 50.36
2000 CONVERTIBLE	401-107	401-112	401-120	401-130	401-140	401-150	401-160
DUAL FUNCTION: KR OR NKR	\$ 47.11	\$ 47.11	\$ 49.05	\$ 53.05	\$ 55.55	\$ 58.83	\$ 61.35

PADLOCKS WITH STAINLESS STEEL SHACKLES

DESCRIPTION	7/8"	1 1/4"	2"	3"	4"	5"	6"
1750 KR	176-007	176-012	176-020	176-030	176-040	176-050	176-060
KR FUNCTION ONLY	\$ 38.17	\$ 38.17	\$ 39.77	\$ 42.69	\$ 44.99	\$ 46.99	\$ 49.31
2000 KR	201-007	201-012	201-020	201-030	201-040	201-050	201-060
KR FUNCTION ONLY	\$ 46.03	\$ 46.03	\$ 47.97	\$ 51.97	\$ 54.47	\$ 57.75	\$ 60.27
1750 CONVERTIBLE	376-007	376-012	376-020	376-030	376-040	376-050	376-060
DUAL FUNCTION: KR OR NKR	\$ 39.22	\$ 39.22	\$ 40.82	\$ 43.74	\$ 46.04	\$ 48.04	\$ 50.36
2000 CONVERTIBLE	401-007	401-012	401-020	401-030	401-040	401-050	401-060
DUAL FUNCTION: KR OR NKR	\$ 47.11	\$ 47.11	\$ 49.05	\$ 53.05	\$ 55.55	\$ 58.83	\$ 61.35

PADLOCKS WITH BRASS SHACKLES

DESCRIPTION	7/8"	1 1/4"	2"	3"	4"	5"	6"
1750 KR	176-207	176-212	176-220	176-230	176-240	176-250	176-260
KR FUNCTION ONLY	\$ 38.17	\$ 38.17	\$ 39.77	\$ 42.69	\$ 44.99	\$ 46.99	\$ 49.31
2000 KR	201-207	201-212	201-220	201-230	201-240	201-250	201-260
KR FUNCTION ONLY	\$ 46.03	\$ 46.03	\$ 47.97	\$ 51.97	\$ 54.47	\$ 57.75	\$ 60.27
1750 CONVERTIBLE	376-207	376-212	376-220	376-230	376-240	376-250	376-260
DUAL FUNCTION: KR OR NKR	\$ 39.22	\$ 39.22	\$ 40.82	\$ 43.74	\$ 46.04	\$ 48.04	\$ 50.36
2000 CONVERTIBLE	401-207	401-212	401-220	401-230	401-240	401-250	401-260
DUAL FUNCTION: KR OR NKR	\$ 47.11	\$ 47.11	\$ 49.05	\$ 53.05	\$ 55.55	\$ 58.83	\$ 61.35

PADLOCK BODIES ONLY, COMPLETE, LESS SHACKLE

DESCRIPTION	
1750 KR	176-000
KR FUNCTION ONLY	\$ 30.51
2000 KR	201-000
KR FUNCTION ONLY	\$ 35.81
1750 CONVERTIBLE	376-000
DUAL FUNCTION: KR OR NKR	\$ 31.56
2000 CONVERTIBLE	401-000
DUAL FUNCTION: KR OR NKR	\$ 36.89

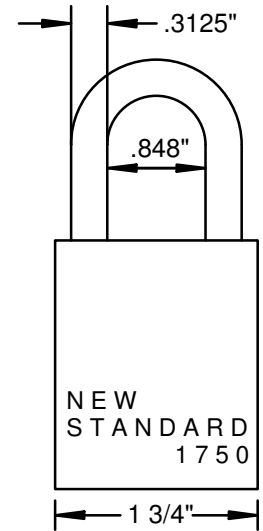
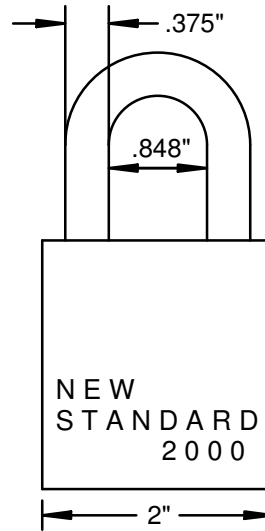
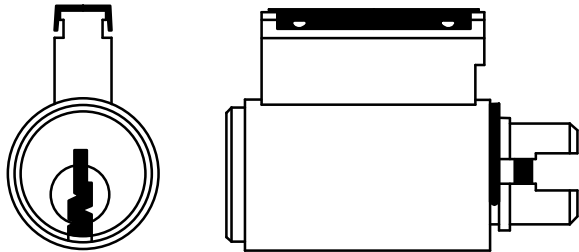
SHACKLES ONLY

DESCRIPTION	7/8"	1 1/4"	2"	3"	4"	5"	6"	8"	12"
FOR MODEL 1750	917-107	917-112	917-120	917-130	917-140	917-150	917-160		
HARDENED STEEL	\$ 7.66	\$ 7.66	\$ 9.26	\$ 12.18	\$ 14.48	\$ 16.48	\$ 18.80		
STAINLESS STEEL	\$ 7.66	\$ 7.66	\$ 9.26	\$ 12.18	\$ 14.48	\$ 16.48	\$ 18.80	\$ 28.96	\$ 37.60
BRASS	\$ 7.66	\$ 7.66	\$ 9.26	\$ 12.18	\$ 14.48	\$ 16.48	\$ 18.80		
FOR MODEL 2000	920-107	920-112	920-120	920-130	920-140	920-150	920-160		
HARDENED STEEL	\$ 10.22	\$ 10.22	\$ 12.16	\$ 16.16	\$ 18.66	\$ 21.94	\$ 24.46		
STAINLESS STEEL	\$ 10.22	\$ 10.22	\$ 12.16	\$ 16.16	\$ 18.66	\$ 21.94	\$ 24.46	\$ 37.36	\$ 48.90
BRASS	\$ 10.22	\$ 10.22	\$ 12.16	\$ 16.16	\$ 18.66	\$ 21.94	\$ 24.46		

NEW STANDARD® MFG. CO

ADAPTABLE PADLOCK SYSTEM™

FOR CORBIN RUSSWIN
H.D. KNOB CYLINDERS



ACCEPTS ORIGINAL
CYLINDERS FOR

CORBIN RUSSWIN
HEAVY & MEDIUM DUTY
LOCKSETS

NO ADAPTERS REQUIRED

COMPETITIVELY PRICED

PATENTED

MADE IN U. S. A.

SYSTEM WIDE FEATURES
COMMON TO ALL MODELS

INVENTORS OF THE DUAL
FUNCTION PADLOCK
OUR NON-KEY RETAINING
CONVERTIBLE (NKR-CV) FUNCTION
PADLOCK'S PATENTED DESIGN
ALLOWS LOCKSMITH TO CHOOSE
PADLOCK FUNCTION; KR (KEY
RETAINING) OR NKR (NON-KEY
RETAINING) AT TIME OF CYLINDER
INSTALLATION. STOCK ONE MODEL
FOR EITHER FUNCTION REQUEST,
CUT INVENTORY IN HALF!
ECONOMICAL KR (KEY RETAINING)
ONLY MODEL ALSO AVAILABLE.

ELLIPTICAL SOLID BRASS BODY

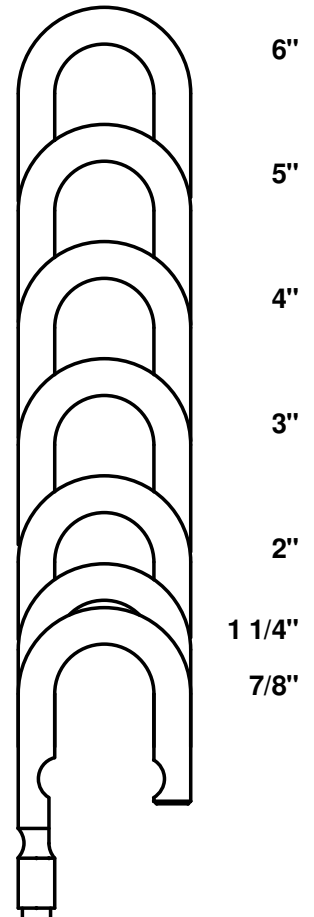
DOUBLE BALL LOCKING DESIGN

1 3/4" (MODEL 1750) OR 2" (MODEL
2000) BODY WIDTHS

FURNISHED: LESS CYLINDER

ALL PARTS ARE CORROSION
RESISTANT STAINLESS STEEL OR
BRASS AND ARE COMPLETELY
INTERCHANGEABLE.

3 SHACKLE MATERIALS:
HARDENED STEEL, STAINLESS
STEEL, AND BRASS, 7 BASIC
SHACKLE LENGTHS, 8" AND 12"
AVAILABLE IN STAINLESS STEEL.
(1 1/4" IS STANDARD)



DISTRIBUTED BY:

NEW STANDARD
MANUFACTURING COMPANY
7005 SPEEDWAY
BLVD., BLDG. F111
LAS VEGAS, NEVADA 89115
702-649-0599 FAX 702-649-0544
e-mail:
newstandardmfg@mindspring.com

PRICE LIST: NEW STANDARD PADLOCKS FOR CORBIN RUSSWIN HEAVY DUTY KEY-IN-KNOB CYLINDERS

September 1, 2011

PADLOCKS WITH HARDENED STEEL SHACKLES

DESCRIPTION	7/8"	1 1/4"	2"	3"	4"	5"	6"
1750 KR	177-107	177-112	177-120	177-130	177-140	177-150	177-160
KR FUNCTION ONLY	\$ 47.98	\$ 47.98	\$ 49.58	\$ 52.50	\$ 54.80	\$ 56.80	\$ 59.12
2000 KR	202-107	202-112	202-120	202-130	202-140	202-150	202-160
KR FUNCTION ONLY	\$ 57.23	\$ 57.23	\$ 59.17	\$ 63.17	\$ 65.67	\$ 68.95	\$ 71.47
1750 CONVERTIBLE	377-107	377-112	377-120	377-130	377-140	377-150	377-160
DUAL FUNCTION: KR OR NKR	\$ 49.05	\$ 49.05	\$ 50.65	\$ 53.57	\$ 55.87	\$ 57.87	\$ 60.19
2000 CONVERTIBLE	402-107	402-112	402-120	402-130	402-140	402-150	402-160
DUAL FUNCTION: KR OR NKR	\$ 58.31	\$ 58.31	\$ 60.25	\$ 64.25	\$ 66.75	\$ 70.03	\$ 72.55

PADLOCKS WITH STAINLESS STEEL SHACKLES

DESCRIPTION	7/8"	1 1/4"	2"	3"	4"	5"	6"
1750 KR	177-007	177-012	177-020	177-030	177-040	177-050	177-060
KR FUNCTION ONLY	\$ 47.98	\$ 47.98	\$ 49.58	\$ 52.50	\$ 54.80	\$ 56.80	\$ 59.12
2000 KR	202-007	202-012	202-020	202-030	202-040	202-050	202-060
KR FUNCTION ONLY	\$ 57.23	\$ 57.23	\$ 59.17	\$ 63.17	\$ 65.67	\$ 68.95	\$ 71.47
1750 CONVERTIBLE	377-007	377-012	377-020	377-030	377-040	377-050	377-060
DUAL FUNCTION: KR OR NKR	\$ 49.05	\$ 49.05	\$ 50.65	\$ 53.57	\$ 55.87	\$ 57.87	\$ 60.19
2000 CONVERTIBLE	402-007	402-012	402-020	402-030	402-040	402-050	402-060
DUAL FUNCTION: KR OR NKR	\$ 58.31	\$ 58.31	\$ 60.25	\$ 64.25	\$ 66.75	\$ 70.03	\$ 72.55

PADLOCKS WITH BRASS SHACKLES

DESCRIPTION	7/8"	1 1/4"	2"	3"	4"	5"	6"
1750 KR	177-207	177-212	177-220	177-230	177-240	177-250	177-260
KR FUNCTION ONLY	\$ 47.98	\$ 47.98	\$ 49.58	\$ 52.50	\$ 54.80	\$ 56.80	\$ 59.12
2000 KR	202-207	202-212	202-220	202-230	202-240	202-250	202-260
KR FUNCTION ONLY	\$ 57.23	\$ 57.23	\$ 59.17	\$ 63.17	\$ 65.67	\$ 68.95	\$ 71.47
1750 CONVERTIBLE	377-207	377-212	377-220	377-230	377-240	377-250	377-260
DUAL FUNCTION: KR OR NKR	\$ 49.05	\$ 49.05	\$ 50.65	\$ 53.57	\$ 55.87	\$ 57.87	\$ 60.19
2000 CONVERTIBLE	402-207	402-212	402-220	402-230	402-240	402-250	402-260
DUAL FUNCTION: KR OR NKR	\$ 58.31	\$ 58.31	\$ 60.25	\$ 64.25	\$ 66.75	\$ 70.03	\$ 72.55

PADLOCK BODIES ONLY, COMPLETE, LESS SHACKLE

DESCRIPTION	
1750 KR	177-000
KR FUNCTION ONLY	\$ 40.32
2000 KR	202-000
KR FUNCTION ONLY	\$ 47.01
1750 CONVERTIBLE	377-000
DUAL FUNCTION: KR OR NKR	\$ 41.39
2000 CONVERTIBLE	402-000
DUAL FUNCTION: KR OR NKR	\$ 48.09

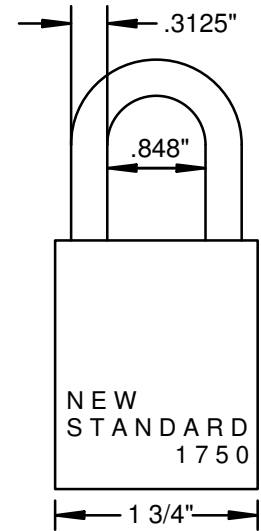
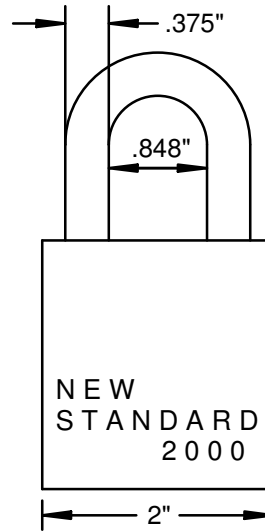
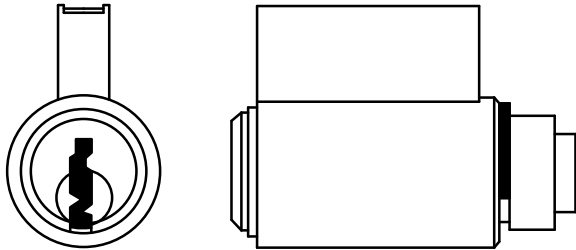
SHACKLES ONLY

DESCRIPTION	7/8"	1 1/4"	2"	3"	4"	5"	6"	8"	12"
FOR MODEL 1750	917-107	917-112	917-120	917-130	917-140	917-150	917-160		
HARDENED STEEL	\$ 7.66	\$ 7.66	\$ 9.26	\$ 12.18	\$ 14.48	\$ 16.48	\$ 18.80		
STAINLESS STEEL	\$ 7.66	\$ 7.66	\$ 9.26	\$ 12.18	\$ 14.48	\$ 16.48	\$ 18.80	\$ 28.96	\$ 37.60
BRASS	\$ 7.66	\$ 7.66	\$ 9.26	\$ 12.18	\$ 14.48	\$ 16.48	\$ 18.80		
FOR MODEL 2000	920-107	920-112	920-120	920-130	920-140	920-150	920-160		
HARDENED STEEL	\$ 10.22	\$ 10.22	\$ 12.16	\$ 16.16	\$ 18.66	\$ 21.94	\$ 24.46		
STAINLESS STEEL	\$ 10.22	\$ 10.22	\$ 12.16	\$ 16.16	\$ 18.66	\$ 21.94	\$ 24.46	\$ 37.36	\$ 48.90
BRASS	\$ 10.22	\$ 10.22	\$ 12.16	\$ 16.16	\$ 18.66	\$ 21.94	\$ 24.46		

NEW STANDARD[®] MFG. CO

ADAPTABLE PADLOCK SYSTEM[™]

FOR YALE H.D.
KNOB CYLINDERS



ACCEPTS ORIGINAL
CYLINDERS FOR

YALE
HEAVY DUTY
LOCKSETS

NO ADAPTERS REQUIRED

COMPETITIVELY PRICED

PATENTED

MADE IN U. S. A.

SYSTEM WIDE FEATURES
COMMON TO ALL MODELS

INVENTORS OF THE DUAL
FUNCTION PADLOCK
OUR NON-KEY RETAINING
CONVERTIBLE (NKR-CV) FUNCTION
PADLOCK'S PATENTED DESIGN
ALLOWS LOCKSMITH TO CHOOSE
PADLOCK FUNCTION; KR (KEY
RETAINING) OR NKR (NON-KEY
RETAINING) AT TIME OF CYLINDER
INSTALLATION. STOCK ONE MODEL
FOR EITHER FUNCTION REQUEST,
CUT INVENTORY IN HALF!
ECONOMICAL KR (KEY RETAINING)
ONLY MODEL ALSO AVAILABLE.

ELLIPTICAL SOLID BRASS BODY

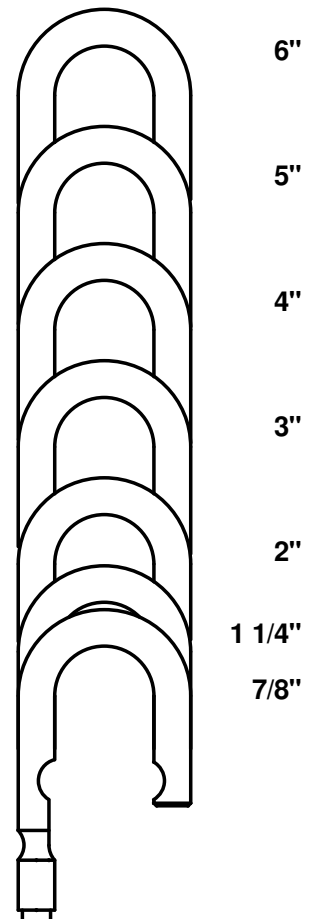
DOUBLE BALL LOCKING DESIGN

1 3/4" (MODEL 1750) OR 2" (MODEL
2000) BODY WIDTHS

FURNISHED: LESS CYLINDER

ALL PARTS ARE CORROSION
RESISTANT STAINLESS STEEL OR
BRASS AND ARE COMPLETELY
INTERCHANGEABLE.

3 SHACKLE MATERIALS:
HARDENED STEEL, STAINLESS
STEEL, AND BRASS, 7 BASIC
SHACKLE LENGTHS, 8" AND 12"
AVAILABLE IN STAINLESS STEEL.
(1 1/4" IS STANDARD)



DISTRIBUTED BY:

NEW STANDARD
MANUFACTURING COMPANY
7005 SPEEDWAY
BLVD., BLDG. F111
LAS VEGAS, NEVADA 89115
702-649-0599 FAX 702-649-0544
e-mail:
newstandardmfg@mindspring.com

PRICE LIST: NEW STANDARD PADLOCKS FOR YALE HEAVY DUTY KEY-IN-KNOB CYLINDERS

September 1, 2011

PADLOCKS WITH HARDENED STEEL SHACKLES

DESCRIPTION	7/8"	1 1/4"	2"	3"	4"	5"	6"
1750 KR	178-107	178-112	178-120	178-130	178-140	178-150	178-160
KR FUNCTION ONLY	\$ 47.98	\$ 47.98	\$ 49.58	\$ 52.50	\$ 54.80	\$ 56.80	\$ 59.12
2000 KR	203-107	203-112	203-120	203-130	203-140	203-150	203-160
KR FUNCTION ONLY	\$ 57.23	\$ 57.23	\$ 59.17	\$ 63.17	\$ 65.67	\$ 68.95	\$ 71.47
1750 CONVERTIBLE	378-107	378-112	378-120	378-130	378-140	378-150	378-160
DUAL FUNCTION: KR OR NKR	\$ 49.05	\$ 49.05	\$ 50.65	\$ 53.57	\$ 55.87	\$ 57.87	\$ 60.19
2000 CONVERTIBLE	403-107	403-112	403-120	403-130	403-140	403-150	403-160
DUAL FUNCTION: KR OR NKR	\$ 58.31	\$ 58.31	\$ 60.25	\$ 64.25	\$ 66.75	\$ 70.03	\$ 72.55

PADLOCKS WITH STAINLESS STEEL SHACKLES

DESCRIPTION	7/8"	1 1/4"	2"	3"	4"	5"	6"
1750 KR	178-007	178-012	178-020	178-030	178-040	178-050	178-060
KR FUNCTION ONLY	\$ 47.98	\$ 47.98	\$ 49.58	\$ 52.50	\$ 54.80	\$ 56.80	\$ 59.12
2000 KR	203-007	203-012	203-020	203-030	203-040	203-050	203-060
KR FUNCTION ONLY	\$ 57.23	\$ 57.23	\$ 59.17	\$ 63.17	\$ 65.67	\$ 68.95	\$ 71.47
1750 CONVERTIBLE	378-007	378-012	378-020	378-030	378-040	378-050	378-060
DUAL FUNCTION: KR OR NKR	\$ 49.05	\$ 49.05	\$ 50.65	\$ 53.57	\$ 55.87	\$ 57.87	\$ 60.19
2000 CONVERTIBLE	403-007	403-012	403-020	403-030	403-040	403-050	403-060
DUAL FUNCTION: KR OR NKR	\$ 58.31	\$ 58.31	\$ 60.25	\$ 64.25	\$ 66.75	\$ 70.03	\$ 72.55

PADLOCKS WITH BRASS SHACKLES

DESCRIPTION	7/8"	1 1/4"	2"	3"	4"	5"	6"
1750 KR	178-207	178-212	178-220	178-230	178-240	178-250	178-260
KR FUNCTION ONLY	\$ 47.98	\$ 47.98	\$ 49.58	\$ 52.50	\$ 54.80	\$ 56.80	\$ 59.12
2000 KR	203-207	203-212	203-220	203-230	203-240	203-250	203-260
KR FUNCTION ONLY	\$ 57.23	\$ 57.23	\$ 59.17	\$ 63.17	\$ 65.67	\$ 68.95	\$ 71.47
1750 CONVERTIBLE	378-207	378-212	378-220	378-230	378-240	378-250	378-260
DUAL FUNCTION: KR OR NKR	\$ 49.05	\$ 49.05	\$ 50.65	\$ 53.57	\$ 55.87	\$ 57.87	\$ 60.19
2000 CONVERTIBLE	403-207	403-212	403-220	403-230	403-240	403-250	403-260
DUAL FUNCTION: KR OR NKR	\$ 58.31	\$ 58.31	\$ 60.25	\$ 64.25	\$ 66.75	\$ 70.03	\$ 72.55

PADLOCK BODIES ONLY, COMPLETE, LESS SHACKLE

DESCRIPTION	
1750 KR	178-000
KR FUNCTION ONLY	\$ 40.32
2000 KR	203-000
KR FUNCTION ONLY	\$ 47.01
1750 CONVERTIBLE	378-000
DUAL FUNCTION: KR OR NKR	\$ 41.39
2000 CONVERTIBLE	403-000
DUAL FUNCTION: KR OR NKR	\$ 48.09

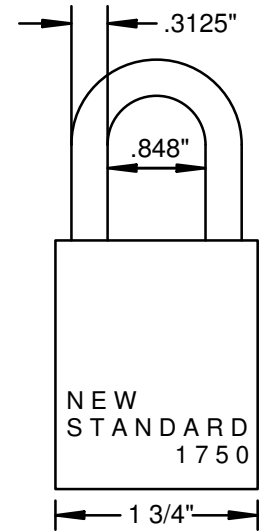
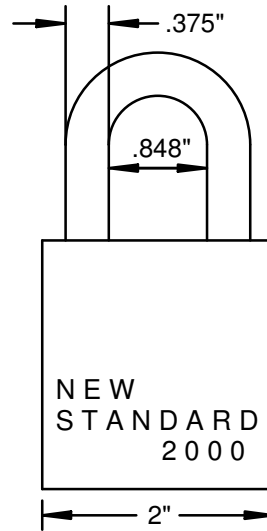
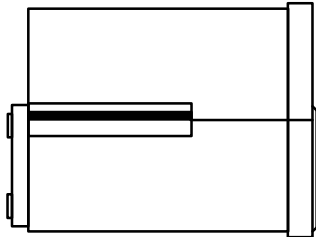
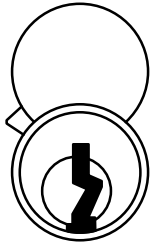
SHACKLES ONLY

DESCRIPTION	7/8"	1 1/4"	2"	3"	4"	5"	6"	8"	12"
FOR MODEL 1750	917-107	917-112	917-120	917-130	917-140	917-150	917-160		
HARDENED STEEL	\$ 7.66	\$ 7.66	\$ 9.26	\$ 12.18	\$ 14.48	\$ 16.48	\$ 18.80		
STAINLESS STEEL	917-007	917-012	917-020	917-030	917-040	917-050	917-060	917-080	917-0120
	\$ 7.66	\$ 7.66	\$ 9.26	\$ 12.18	\$ 14.48	\$ 16.48	\$ 18.80	\$ 28.96	\$ 37.60
BRASS	917-207	917-212	917-220	917-230	917-240	917-250	917-260		
	\$ 7.66	\$ 7.66	\$ 9.26	\$ 12.18	\$ 14.48	\$ 16.48	\$ 18.80		
FOR MODEL 2000	920-107	920-112	920-120	920-130	920-140	920-150	920-160		
HARDENED STEEL	\$ 10.22	\$ 10.22	\$ 12.16	\$ 16.16	\$ 18.66	\$ 21.94	\$ 24.46		
STAINLESS STEEL	920-007	920-012	920-020	920-030	920-040	920-050	920-060	920-080	920-0120
	\$ 10.22	\$ 10.22	\$ 12.16	\$ 16.16	\$ 18.66	\$ 21.94	\$ 24.46	\$ 37.36	\$ 48.90
BRASS	920-207	920-212	920-220	920-230	920-240	920-250	920-260		
	\$ 10.22	\$ 10.22	\$ 12.16	\$ 16.16	\$ 18.66	\$ 21.94	\$ 24.46		

NEW STANDARD® MFG. CO

ADAPTABLE PADLOCK SYSTEM™

FOR SMALL FORMAT
INTERCHANGEABLE CORE
LOCK CYLINDERS



ACCEPTS 6 OR 7 PIN
SMALL FORMAT
INTERCHANGEABLE CORE
CYLINDERS

INCLUDING

* FALCON * ARROW * BEST *
SCHLAGE * K.S.P. * ILCO *
* MEDECO * KABA PEAKS *

ANY CYLINDER OF THE BEST IC
STYLE, ORIGINAL OR IMITATION,
COPY OR CLONE, CAN BE
INSTALLED IN THIS PADLOCK
WITHOUT ADAPTERS

COMPETITIVELY PRICED

PATENTED

MADE IN U. S. A.

SYSTEM WIDE FEATURES
COMMON TO ALL MODELS

INVENTORS OF THE DUAL
FUNCTION PADLOCK
OUR NON-KEY RETAINING
CONVERTIBLE (NKR-CV) FUNCTION
PADLOCK'S PATENTED DESIGN
ALLOWS LOCKSMITH TO CHOOSE
PADLOCK FUNCTION; KR (KEY
RETAINING) OR NKR (NON-KEY
RETAINING) AT TIME OF CYLINDER
INSTALLATION. STOCK ONE MODEL
FOR EITHER FUNCTION REQUEST,
CUT INVENTORY IN HALF!
ECONOMICAL KR (KEY RETAINING)
ONLY MODEL ALSO AVAILABLE.

ELLIPTICAL SOLID BRASS BODY

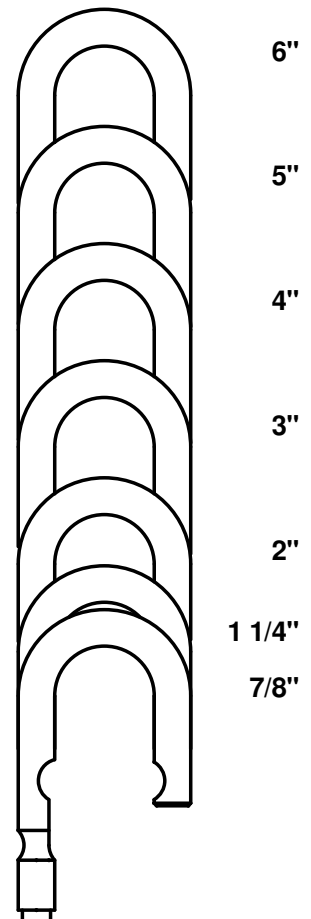
DOUBLE BALL LOCKING DESIGN

1 3/4" (MODEL 1750) OR 2" (MODEL
2000) BODY WIDTHS

FURNISHED: LESS CYLINDER

ALL PARTS ARE CORROSION
RESISTANT STAINLESS STEEL OR
BRASS AND ARE COMPLETELY
INTERCHANGEABLE.

3 SHACKLE MATERIALS:
HARDENED STEEL, STAINLESS
STEEL, AND BRASS, 7 BASIC
SHACKLE LENGTHS, 8" AND 12"
AVAILABLE IN STAINLESS STEEL.
(1 1/4" IS STANDARD)



DISTRIBUTED BY:

NEW STANDARD
MANUFACTURING COMPANY
7005 SPEEDWAY
BLVD., BLDG. F111
LAS VEGAS, NEVADA 89115
702-649-0599 FAX 702-649-0544
e-mail:
newstandardmfg@mindspring.com

PRICE LIST: NEW STANDARD PADLOCKS FOR SMALL FORMAT INTERCHANGEABLE CORE CYLINDERS

September 1, 2011

PADLOCKS WITH HARDENED STEEL SHACKLES

DESCRIPTION	7/8"	1 1/4"	2"	3"	4"	5"	6"
1750 KR	185-107	185-112	185-120	185-130	185-140	185-150	185-160
KR FUNCTION ONLY	\$ 38.17	\$ 38.17	\$ 39.77	\$ 42.69	\$ 44.99	\$ 46.99	\$ 49.31
2000 KR	210-107	210-112	210-120	210-130	210-140	210-150	210-160
KR FUNCTION ONLY	\$ 46.03	\$ 46.03	\$ 47.97	\$ 51.97	\$ 54.47	\$ 57.75	\$ 60.27
1750 CONVERTIBLE	385-107	385-112	385-120	385-130	385-140	385-150	385-160
DUAL FUNCTION: KR OR NKR	\$ 39.22	\$ 39.22	\$ 40.82	\$ 43.74	\$ 46.04	\$ 48.04	\$ 50.36
2000 CONVERTIBLE	410-107	410-112	410-120	410-130	410-140	410-150	410-160
DUAL FUNCTION: KR OR NKR	\$ 47.11	\$ 47.11	\$ 49.05	\$ 53.05	\$ 55.55	\$ 58.83	\$ 61.35

PADLOCKS WITH STAINLESS STEEL SHACKLES

DESCRIPTION	7/8"	1 1/4"	2"	3"	4"	5"	6"
1750 KR	185-007	185-012	185-020	185-030	185-040	185-050	185-060
KR FUNCTION ONLY	\$ 38.17	\$ 38.17	\$ 39.77	\$ 42.69	\$ 44.99	\$ 46.99	\$ 49.31
2000 KR	210-007	210-012	210-020	210-030	210-040	210-050	210-060
KR FUNCTION ONLY	\$ 46.03	\$ 46.03	\$ 47.97	\$ 51.97	\$ 54.47	\$ 57.75	\$ 60.27
1750 CONVERTIBLE	385-007	385-012	385-020	385-030	385-040	385-050	385-060
DUAL FUNCTION: KR OR NKR	\$ 39.22	\$ 39.22	\$ 40.82	\$ 43.74	\$ 46.04	\$ 48.04	\$ 50.36
2000 CONVERTIBLE	410-007	410-012	410-020	410-030	410-040	410-050	410-060
DUAL FUNCTION: KR OR NKR	\$ 47.11	\$ 47.11	\$ 49.05	\$ 53.05	\$ 55.55	\$ 58.83	\$ 61.35

PADLOCKS WITH BRASS SHACKLES

DESCRIPTION	7/8"	1 1/4"	2"	3"	4"	5"	6"
1750 KR	185-207	185-212	185-220	185-230	185-240	185-250	185-260
KR FUNCTION ONLY	\$ 38.17	\$ 38.17	\$ 39.77	\$ 42.69	\$ 44.99	\$ 46.99	\$ 49.31
2000 KR	210-207	210-212	210-220	210-230	210-240	210-250	210-260
KR FUNCTION ONLY	\$ 46.03	\$ 46.03	\$ 47.97	\$ 51.97	\$ 54.47	\$ 57.75	\$ 60.27
1750 CONVERTIBLE	385-207	385-212	385-220	385-230	385-240	385-250	385-260
DUAL FUNCTION: KR OR NKR	\$ 39.22	\$ 39.22	\$ 40.82	\$ 43.74	\$ 46.04	\$ 48.04	\$ 50.36
2000 CONVERTIBLE	410-207	410-212	410-220	410-230	410-240	410-250	410-260
DUAL FUNCTION: KR OR NKR	\$ 47.11	\$ 47.11	\$ 49.05	\$ 53.05	\$ 55.55	\$ 58.83	\$ 61.35

PADLOCK BODIES ONLY, COMPLETE, LESS SHACKLE

DESCRIPTION	
1750 KR	185-000
KR FUNCTION ONLY	\$ 30.51
2000 KR	210-000
KR FUNCTION ONLY	\$ 35.81
1750 CONVERTIBLE	385-000
DUAL FUNCTION: KR OR NKR	\$ 31.56
2000 CONVERTIBLE	410-000
DUAL FUNCTION: KR OR NKR	\$ 36.89

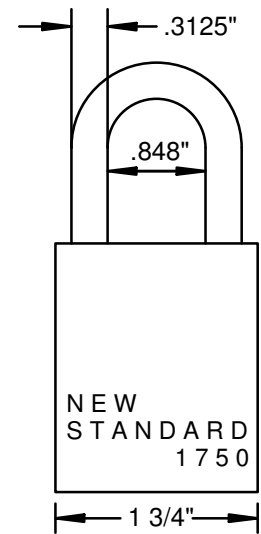
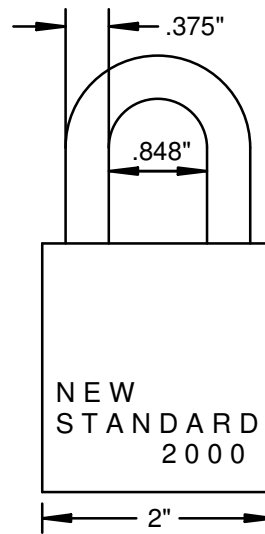
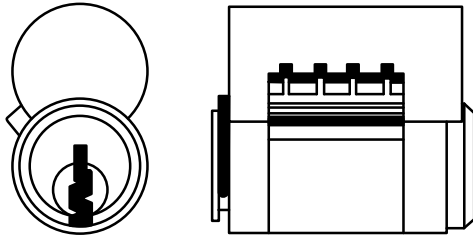
SHACKLES ONLY

DESCRIPTION	7/8"	1 1/4"	2"	3"	4"	5"	6"	8"	12"
FOR MODEL 1750	917-107	917-112	917-120	917-130	917-140	917-150	917-160		
HARDENED STEEL	\$ 7.66	\$ 7.66	\$ 9.26	\$ 12.18	\$ 14.48	\$ 16.48	\$ 18.80		
STAINLESS STEEL	\$ 7.66	\$ 7.66	\$ 9.26	\$ 12.18	\$ 14.48	\$ 16.48	\$ 18.80	\$ 28.96	\$ 37.60
BRASS	\$ 7.66	\$ 7.66	\$ 9.26	\$ 12.18	\$ 14.48	\$ 16.48	\$ 18.80		
FOR MODEL 2000	920-107	920-112	920-120	920-130	920-140	920-150	920-160		
HARDENED STEEL	\$ 10.22	\$ 10.22	\$ 12.16	\$ 16.16	\$ 18.66	\$ 21.94	\$ 24.46		
STAINLESS STEEL	\$ 10.22	\$ 10.22	\$ 12.16	\$ 16.16	\$ 18.66	\$ 21.94	\$ 24.46	\$ 37.36	\$ 48.90
BRASS	\$ 10.22	\$ 10.22	\$ 12.16	\$ 16.16	\$ 18.66	\$ 21.94	\$ 24.46		

NEW STANDARD® MFG. CO

ADAPTABLE PADLOCK SYSTEM™

FOR CORBIN RUSSWIN
INTERCHANGEABLE
CORE 6-PIN CYLINDERS



ACCEPTS CORBIN RUSSWIN
INTERCHANGEABLE CORE
6-PIN CYLINDERS

SYSTEM WIDE FEATURES
COMMON TO ALL MODELS

3 SHACKLE MATERIALS:
HARDENED STEEL, STAINLESS
STEEL, AND BRASS, 7 BASIC
SHACKLE LENGTHS, 8" AND 12"
AVAILABLE IN STAINLESS STEEL.
(1 1/4" IS STANDARD)

COMPETITIVELY PRICED

INVENTORS OF THE DUAL
FUNCTION PADLOCK
OUR NON-KEY RETAINING
CONVERTIBLE (NKR-CV) FUNCTION
PADLOCK'S PATENTED DESIGN
ALLOWS LOCKSMITH TO CHOOSE
PADLOCK FUNCTION; KR (KEY
RETAINING) OR NKR (NON-KEY
RETAINING) AT TIME OF CYLINDER
INSTALLATION. STOCK ONE MODEL
FOR EITHER FUNCTION REQUEST,
CUT INVENTORY IN HALF!
ECONOMICAL KR (KEY RETAINING)
ONLY MODEL ALSO AVAILABLE.

PATENTED

ELLIPTICAL SOLID BRASS BODY

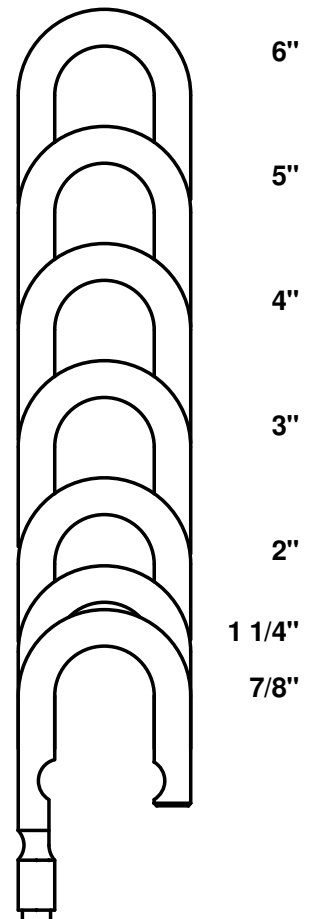
MADE IN U. S. A.

DOUBLE BALL LOCKING DESIGN

1 3/4" (MODEL 1750) OR 2" (MODEL
2000) BODY WIDTHS

FURNISHED: LESS CYLINDER

ALL PARTS ARE CORROSION
RESISTANT STAINLESS STEEL OR
BRASS AND ARE COMPLETELY
INTERCHANGEABLE.



DISTRIBUTED BY:

NEW STANDARD
MANUFACTURING COMPANY
7005 SPEEDWAY
BLVD., BLDG. F111
LAS VEGAS, NEVADA 89115
702-649-0599 FAX 702-649-0544
e-mail:
newstandardmfg@mindspring.com

**PRICE LIST: NEW STANDARD PADLOCKS FOR CORBIN RUSSWIN INTERCHANGEABLE CORE
6-PIN CYLINDERS**

September 1, 2011

PADLOCKS WITH HARDENED STEEL SHACKLES

DESCRIPTION	7/8"	1 1/4"	2"	3"	4"	5"	6"
1750 KR	186-107	186-112	186-120	186-130	186-140	186-150	186-160
KR FUNCTION ONLY	\$ 48.35	\$ 48.35	\$ 49.95	\$ 52.87	\$ 55.17	\$ 57.17	\$ 59.49
2000 KR	211-107	211-112	211-120	211-130	211-140	211-150	211-160
KR FUNCTION ONLY	\$ 57.79	\$ 57.79	\$ 59.73	\$ 63.73	\$ 66.23	\$ 69.51	\$ 72.03
1750 CONVERTIBLE	386-107	386-112	386-120	386-130	386-140	386-150	386-160
DUAL FUNCTION: KR OR NKR	\$ 49.41	\$ 49.41	\$ 51.01	\$ 53.93	\$ 56.23	\$ 58.23	\$ 60.55
2000 CONVERTIBLE	411-107	411-112	411-120	411-130	411-140	411-150	411-160
DUAL FUNCTION: KR OR NKR	\$ 58.87	\$ 58.87	\$ 60.81	\$ 64.81	\$ 67.31	\$ 70.59	\$ 73.11

PADLOCKS WITH STAINLESS STEEL SHACKLES

DESCRIPTION	7/8"	1 1/4"	2"	3"	4"	5"	6"
1750 KR	186-007	186-012	186-020	186-030	186-040	186-050	186-060
KR FUNCTION ONLY	\$ 48.35	\$ 48.35	\$ 49.95	\$ 52.87	\$ 55.17	\$ 57.17	\$ 59.49
2000 KR	211-007	211-012	211-020	211-030	211-040	211-050	211-060
KR FUNCTION ONLY	\$ 57.79	\$ 57.79	\$ 59.73	\$ 63.73	\$ 66.23	\$ 69.51	\$ 72.03
1750 CONVERTIBLE	386-007	386-012	386-020	386-030	386-040	386-050	386-060
DUAL FUNCTION: KR OR NKR	\$ 49.41	\$ 49.41	\$ 51.01	\$ 53.93	\$ 56.23	\$ 58.23	\$ 60.55
2000 CONVERTIBLE	411-007	411-012	411-020	411-030	411-040	411-050	411-060
DUAL FUNCTION: KR OR NKR	\$ 58.87	\$ 58.87	\$ 60.81	\$ 64.81	\$ 67.31	\$ 70.59	\$ 73.11

PADLOCKS WITH BRASS SHACKLES

DESCRIPTION	7/8"	1 1/4"	2"	3"	4"	5"	6"
1750 KR	186-207	186-212	186-220	186-230	186-240	186-250	186-260
KR FUNCTION ONLY	\$ 48.35	\$ 48.35	\$ 49.95	\$ 52.87	\$ 55.17	\$ 57.17	\$ 59.49
2000 KR	211-207	211-212	211-220	211-230	211-240	211-250	211-260
KR FUNCTION ONLY	\$ 57.79	\$ 57.79	\$ 59.73	\$ 63.73	\$ 66.23	\$ 69.51	\$ 72.03
1750 CONVERTIBLE	386-207	386-212	386-220	386-230	386-240	386-250	386-260
DUAL FUNCTION: KR OR NKR	\$ 49.41	\$ 49.41	\$ 51.01	\$ 53.93	\$ 56.23	\$ 58.23	\$ 60.55
2000 CONVERTIBLE	411-207	411-212	411-220	411-230	411-240	411-250	411-260
DUAL FUNCTION: KR OR NKR	\$ 58.87	\$ 58.87	\$ 60.81	\$ 64.81	\$ 67.31	\$ 70.59	\$ 73.11

PADLOCK BODIES ONLY, COMPLETE, LESS SHACKLE

DESCRIPTION	
1750 KR	186-000
KR FUNCTION ONLY	\$ 40.69
2000 KR	211-000
KR FUNCTION ONLY	\$ 47.57
1750 CONVERTIBLE	386-000
DUAL FUNCTION: KR OR NKR	\$ 41.75
2000 CONVERTIBLE	411-000
DUAL FUNCTION: KR OR NKR	\$ 48.65

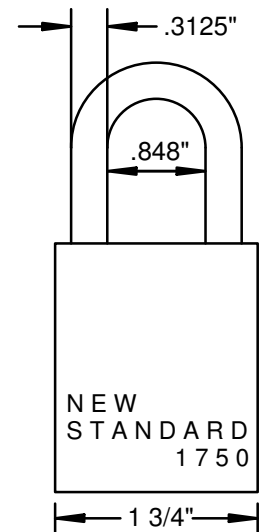
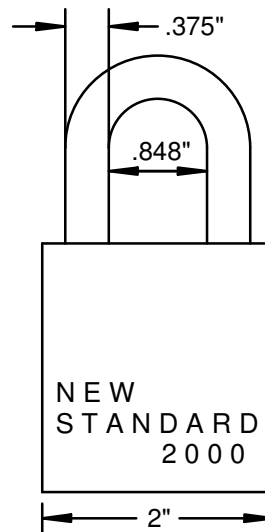
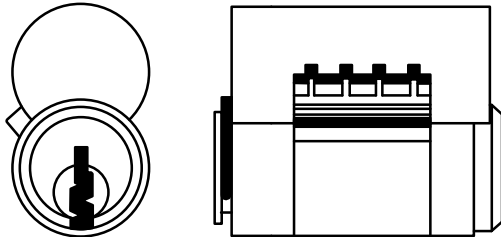
SHACKLES ONLY

DESCRIPTION	7/8"	1 1/4"	2"	3"	4"	5"	6"	8"	12"
FOR MODEL 1750	917-107	917-112	917-120	917-130	917-140	917-150	917-160		
HARDENED STEEL	\$ 7.66	\$ 7.66	\$ 9.26	\$ 12.18	\$ 14.48	\$ 16.48	\$ 18.80		
STAINLESS STEEL	\$ 7.66	\$ 7.66	\$ 9.26	\$ 12.18	\$ 14.48	\$ 16.48	\$ 18.80	\$ 28.96	\$ 37.60
BRASS	\$ 7.66	\$ 7.66	\$ 9.26	\$ 12.18	\$ 14.48	\$ 16.48	\$ 18.80		
FOR MODEL 2000	920-107	920-112	920-120	920-130	920-140	920-150	920-160		
HARDENED STEEL	\$ 10.22	\$ 10.22	\$ 12.16	\$ 16.16	\$ 18.66	\$ 21.94	\$ 24.46		
STAINLESS STEEL	\$ 10.22	\$ 10.22	\$ 12.16	\$ 16.16	\$ 18.66	\$ 21.94	\$ 24.46	\$ 37.36	\$ 48.90
BRASS	\$ 10.22	\$ 10.22	\$ 12.16	\$ 16.16	\$ 18.66	\$ 21.94	\$ 24.46		

NEW STANDARD® MFG. CO

ADAPTABLE PADLOCK SYSTEM™

FOR CORBIN RUSSWIN
INTERCHANGEABLE
CORE 7-PIN CYLINDERS



ACCEPTS CORBIN RUSSWIN
INTERCHANGEABLE CORE
7-PIN CYLINDERS

SYSTEM WIDE FEATURES
COMMON TO ALL MODELS

3 SHACKLE MATERIALS:
HARDENED STEEL, STAINLESS
STEEL, AND BRASS, 7 BASIC
SHACKLE LENGTHS, 8" AND 12"
AVAILABLE IN STAINLESS STEEL.
(1 1/4" IS STANDARD)

COMPETITIVELY PRICED

INVENTORS OF THE DUAL
FUNCTION PADLOCK
OUR NON-KEY RETAINING
CONVERTIBLE (NKR-CV) FUNCTION
PADLOCK'S PATENTED DESIGN
ALLOWS LOCKSMITH TO CHOOSE
PADLOCK FUNCTION; KR (KEY
RETAINING) OR NKR (NON-KEY
RETAINING) AT TIME OF CYLINDER
INSTALLATION. STOCK ONE MODEL
FOR EITHER FUNCTION REQUEST,
CUT INVENTORY IN HALF!
ECONOMICAL KR (KEY RETAINING)
ONLY MODEL ALSO AVAILABLE.

PATENTED

ELLIPTICAL SOLID BRASS BODY

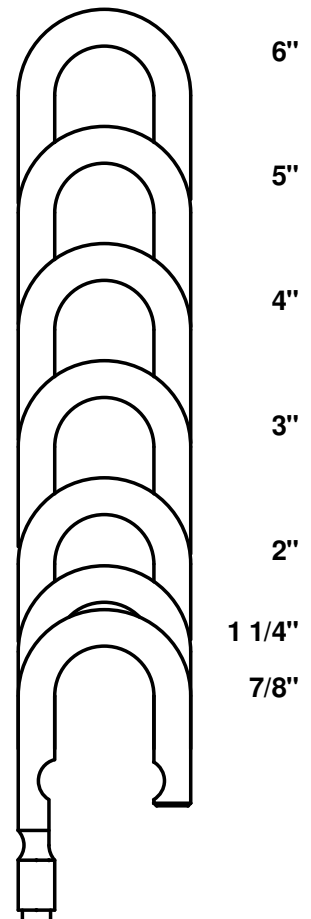
MADE IN U. S. A.

DOUBLE BALL LOCKING DESIGN

1 3/4" (MODEL 1750) OR 2" (MODEL
2000) BODY WIDTHS

FURNISHED: LESS CYLINDER

ALL PARTS ARE CORROSION
RESISTANT STAINLESS STEEL OR
BRASS AND ARE COMPLETELY
INTERCHANGEABLE.



DISTRIBUTED BY:

NEW STANDARD
MANUFACTURING COMPANY
7005 SPEEDWAY
BLVD., BLDG. F111
LAS VEGAS, NEVADA 89115
702-649-0599 FAX 702-649-0544
e-mail:
newstandardmfg@mindspring.com

**PRICE LIST: NEW STANDARD PADLOCKS FOR CORBIN RUSSWIN INTERCHANGEABLE CORE
7-PIN CYLINDERS**

September 1, 2011

PADLOCKS WITH HARDENED STEEL SHACKLES

DESCRIPTION	7/8"	1 1/4"	2"	3"	4"	5"	6"
1750 KR	187-107	187-112	187-120	187-130	187-140	187-150	187-160
KR FUNCTION ONLY	\$ 54.91	\$ 54.91	\$ 56.51	\$ 59.43	\$ 61.73	\$ 63.73	\$ 66.05
2000 KR	212-107	212-112	212-120	212-130	212-140	212-150	212-160
KR FUNCTION ONLY	\$ 65.53	\$ 65.53	\$ 67.47	\$ 71.47	\$ 73.97	\$ 77.25	\$ 79.77
1750 CONVERTIBLE	387-107	387-112	387-120	387-130	387-140	387-150	387-160
DUAL FUNCTION: KR OR NKR	\$ 55.99	\$ 55.99	\$ 57.59	\$ 60.51	\$ 62.81	\$ 64.81	\$ 67.13
2000 CONVERTIBLE	412-107	412-112	412-120	412-130	412-140	412-150	412-160
DUAL FUNCTION: KR OR NKR	\$ 66.58	\$ 66.58	\$ 68.52	\$ 72.52	\$ 75.02	\$ 78.30	\$ 80.82

PADLOCKS WITH STAINLESS STEEL SHACKLES

DESCRIPTION	7/8"	1 1/4"	2"	3"	4"	5"	6"
1750 KR	187-007	187-012	187-020	187-030	187-040	187-050	187-060
KR FUNCTION ONLY	\$ 54.91	\$ 54.91	\$ 56.51	\$ 59.43	\$ 61.73	\$ 63.73	\$ 66.05
2000 KR	212-007	212-012	212-020	212-030	212-040	212-050	212-060
KR FUNCTION ONLY	\$ 65.53	\$ 65.53	\$ 67.47	\$ 71.47	\$ 73.97	\$ 77.25	\$ 79.77
1750 CONVERTIBLE	387-007	387-012	387-020	387-030	387-040	387-050	387-060
DUAL FUNCTION: KR OR NKR	\$ 55.99	\$ 55.99	\$ 57.59	\$ 60.51	\$ 62.81	\$ 64.81	\$ 67.13
2000 CONVERTIBLE	412-007	412-012	412-020	412-030	412-040	412-050	412-060
DUAL FUNCTION: KR OR NKR	\$ 66.58	\$ 66.58	\$ 68.52	\$ 72.52	\$ 75.02	\$ 78.30	\$ 80.82

PADLOCKS WITH BRASS SHACKLES

DESCRIPTION	7/8"	1 1/4"	2"	3"	4"	5"	6"
1750 KR	187-207	187-212	187-220	187-230	187-240	187-250	187-260
KR FUNCTION ONLY	\$ 54.91	\$ 54.91	\$ 56.51	\$ 59.43	\$ 61.73	\$ 63.73	\$ 66.05
2000 KR	212-207	212-212	212-220	212-230	212-240	212-250	212-260
KR FUNCTION ONLY	\$ 65.53	\$ 65.53	\$ 67.47	\$ 71.47	\$ 73.97	\$ 77.25	\$ 79.77
1750 CONVERTIBLE	387-207	387-212	387-220	387-230	387-240	387-250	387-260
DUAL FUNCTION: KR OR NKR	\$ 55.99	\$ 55.99	\$ 57.59	\$ 60.51	\$ 62.81	\$ 64.81	\$ 67.13
2000 CONVERTIBLE	412-207	412-212	412-220	412-230	412-240	412-250	412-260
DUAL FUNCTION: KR OR NKR	\$ 66.58	\$ 66.58	\$ 68.52	\$ 72.52	\$ 75.02	\$ 78.30	\$ 80.82

PADLOCK BODIES ONLY, COMPLETE, LESS SHACKLE

DESCRIPTION	
1750 KR	187-000
KR FUNCTION ONLY	\$ 47.25
2000 KR	212-000
KR FUNCTION ONLY	\$ 55.31
1750 CONVERTIBLE	387-000
DUAL FUNCTION: KR OR NKR	\$ 48.33
2000 CONVERTIBLE	412-000
DUAL FUNCTION: KR OR NKR	\$ 56.36

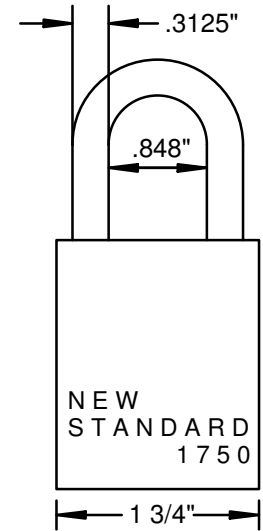
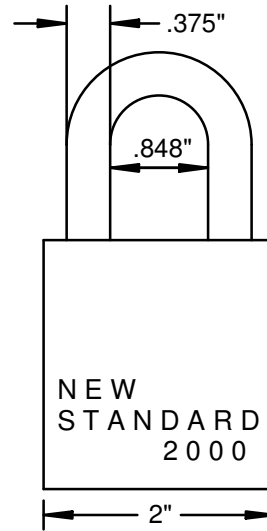
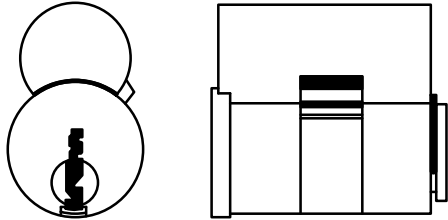
SHACKLES ONLY

DESCRIPTION	7/8"	1 1/4"	2"	3"	4"	5"	6"	8"	12"
FOR MODEL 1750	917-107	917-112	917-120	917-130	917-140	917-150	917-160		
HARDENED STEEL	\$ 7.66	\$ 7.66	\$ 9.26	\$ 12.18	\$ 14.48	\$ 16.48	\$ 18.80		
STAINLESS STEEL	\$ 7.66	\$ 7.66	\$ 9.26	\$ 12.18	\$ 14.48	\$ 16.48	\$ 18.80	\$ 28.96	\$ 37.60
BRASS	\$ 7.66	\$ 7.66	\$ 9.26	\$ 12.18	\$ 14.48	\$ 16.48	\$ 18.80		
FOR MODEL 2000	920-107	920-112	920-120	920-130	920-140	920-150	920-160		
HARDENED STEEL	\$ 10.22	\$ 10.22	\$ 12.16	\$ 16.16	\$ 18.66	\$ 21.94	\$ 24.46		
STAINLESS STEEL	\$ 10.22	\$ 10.22	\$ 12.16	\$ 16.16	\$ 18.66	\$ 21.94	\$ 24.46	\$ 37.36	\$ 48.90
BRASS	\$ 10.22	\$ 10.22	\$ 12.16	\$ 16.16	\$ 18.66	\$ 21.94	\$ 24.46		

NEW STANDARD® MFG. CO

ADAPTABLE PADLOCK SYSTEM™

FOR SARGENT
INTERCHANGEABLE
CORE CYLINDERS



ACCEPTS SARGENT
INTERCHANGEABLE CORE
CYLINDERS

SYSTEM WIDE FEATURES
COMMON TO ALL MODELS

3 SHACKLE MATERIALS:
HARDENED STEEL, STAINLESS
STEEL, AND BRASS, 7 BASIC
SHACKLE LENGTHS, 8" AND 12"
AVAILABLE IN STAINLESS STEEL.
(1 1/4" IS STANDARD)

COMPETITIVELY PRICED

INVENTORS OF THE DUAL
FUNCTION PADLOCK
OUR NON-KEY RETAINING
CONVERTIBLE (NKR-CV) FUNCTION
PADLOCK'S PATENTED DESIGN
ALLOWS LOCKSMITH TO CHOOSE
PADLOCK FUNCTION; KR (KEY
RETAINING) OR NKR (NON-KEY
RETAINING) AT TIME OF CYLINDER
INSTALLATION. STOCK ONE MODEL
FOR EITHER FUNCTION REQUEST,
CUT INVENTORY IN HALF!
ECONOMICAL KR (KEY RETAINING)
ONLY MODEL ALSO AVAILABLE.

PATENTED

ELLIPTICAL SOLID BRASS BODY

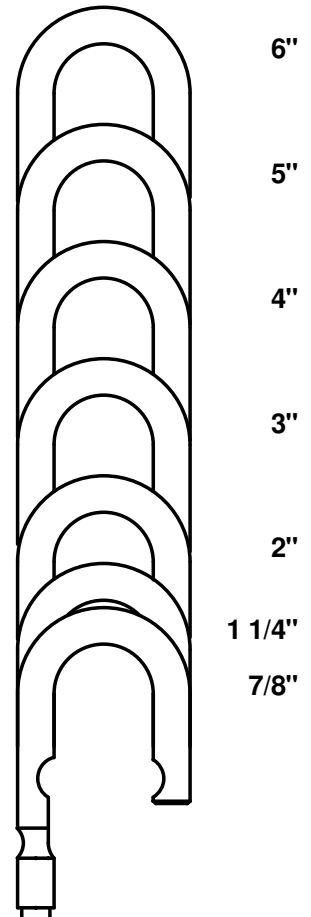
DOUBLE BALL LOCKING DESIGN

MADE IN U. S. A.

1 3/4" (MODEL 1750) OR 2" (MODEL
2000) BODY WIDTHS

FURNISHED: LESS CYLINDER

ALL PARTS ARE CORROSION
RESISTANT STAINLESS STEEL OR
BRASS AND ARE COMPLETELY
INTERCHANGEABLE.



DISTRIBUTED BY:

NEW STANDARD
MANUFACTURING COMPANY
7005 SPEEDWAY
BLVD., BLDG. F111
LAS VEGAS, NEVADA 89115
702-649-0599 FAX 702-649-0544
e-mail:
newstandardmfg@mindspring.com

PRICE LIST: NEW STANDARD PADLOCKS FOR SARGENT INTERCHANGEABLE CORE CYLINDERS

September 1, 2011

PADLOCKS WITH HARDENED STEEL SHACKLES

DESCRIPTION	7/8"	1 1/4"	2"	3"	4"	5"	6"
1750 KR	188-107	188-112	188-120	188-130	188-140	188-150	188-160
KR FUNCTION ONLY	\$ 48.35	\$ 48.35	\$ 49.95	\$ 52.87	\$ 55.17	\$ 57.17	\$ 59.49
2000 KR	213-107	213-112	213-120	213-130	213-140	213-150	213-160
KR FUNCTION ONLY	\$ 57.79	\$ 57.79	\$ 59.73	\$ 63.73	\$ 66.23	\$ 69.51	\$ 72.03
1750 CONVERTIBLE	388-107	388-112	388-120	388-130	388-140	388-150	388-160
DUAL FUNCTION: KR OR NKR	\$ 49.41	\$ 49.41	\$ 51.01	\$ 53.93	\$ 56.23	\$ 58.23	\$ 60.55
2000 CONVERTIBLE	413-107	413-112	413-120	413-130	413-140	413-150	413-160
DUAL FUNCTION: KR OR NKR	\$ 58.87	\$ 58.87	\$ 60.81	\$ 64.81	\$ 67.31	\$ 70.59	\$ 73.11

PADLOCKS WITH STAINLESS STEEL SHACKLES

DESCRIPTION	7/8"	1 1/4"	2"	3"	4"	5"	6"
1750 KR	188-007	188-012	188-020	188-030	188-040	188-050	188-060
KR FUNCTION ONLY	\$ 48.35	\$ 48.35	\$ 49.95	\$ 52.87	\$ 55.17	\$ 57.17	\$ 59.49
2000 KR	213-007	213-012	213-020	213-030	213-040	213-050	213-060
KR FUNCTION ONLY	\$ 57.79	\$ 57.79	\$ 59.73	\$ 63.73	\$ 66.23	\$ 69.51	\$ 72.03
1750 CONVERTIBLE	388-007	388-012	388-020	388-030	388-040	388-050	388-060
DUAL FUNCTION: KR OR NKR	\$ 49.41	\$ 49.41	\$ 51.01	\$ 53.93	\$ 56.23	\$ 58.23	\$ 60.55
2000 CONVERTIBLE	413-007	413-012	413-020	413-030	413-040	413-050	413-060
DUAL FUNCTION: KR OR NKR	\$ 58.87	\$ 58.87	\$ 60.81	\$ 64.81	\$ 67.31	\$ 70.59	\$ 73.11

PADLOCKS WITH BRASS SHACKLES

DESCRIPTION	7/8"	1 1/4"	2"	3"	4"	5"	6"
1750 KR	188-207	188-212	188-220	188-230	188-240	188-250	188-260
KR FUNCTION ONLY	\$ 48.35	\$ 48.35	\$ 49.95	\$ 52.87	\$ 55.17	\$ 57.17	\$ 59.49
2000 KR	213-207	213-212	213-220	213-230	213-240	213-250	213-260
KR FUNCTION ONLY	\$ 57.79	\$ 57.79	\$ 59.73	\$ 63.73	\$ 66.23	\$ 69.51	\$ 72.03
1750 CONVERTIBLE	388-207	388-212	388-220	388-230	388-240	388-250	388-260
DUAL FUNCTION: KR OR NKR	\$ 49.41	\$ 49.41	\$ 51.01	\$ 53.93	\$ 56.23	\$ 58.23	\$ 60.55
2000 CONVERTIBLE	413-207	413-212	413-220	413-230	413-240	413-250	413-260
DUAL FUNCTION: KR OR NKR	\$ 58.87	\$ 58.87	\$ 60.81	\$ 64.81	\$ 67.31	\$ 70.59	\$ 73.11

PADLOCK BODIES ONLY, COMPLETE, LESS SHACKLE

DESCRIPTION	
1750 KR	188-000
KR FUNCTION ONLY	\$ 40.69
2000 KR	213-000
KR FUNCTION ONLY	\$ 47.57
1750 CONVERTIBLE	388-000
DUAL FUNCTION: KR OR NKR	\$ 41.75
2000 CONVERTIBLE	413-000
DUAL FUNCTION: KR OR NKR	\$ 48.65

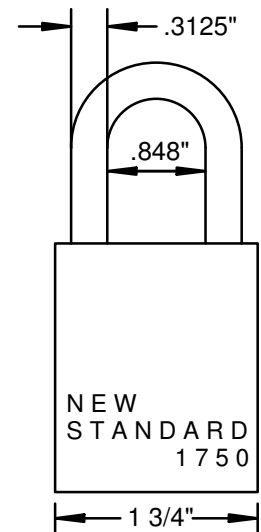
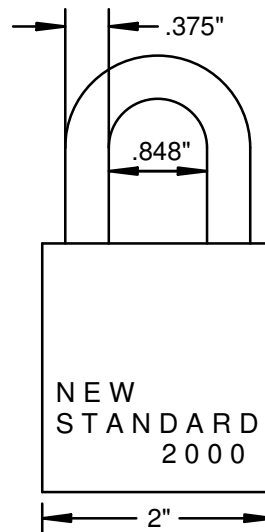
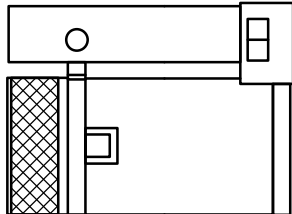
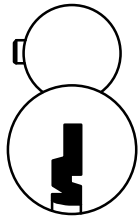
SHACKLES ONLY

DESCRIPTION	7/8"	1 1/4"	2"	3"	4"	5"	6"	8"	12"
FOR MODEL 1750	917-107	917-112	917-120	917-130	917-140	917-150	917-160		
HARDENED STEEL	\$ 7.66	\$ 7.66	\$ 9.26	\$ 12.18	\$ 14.48	\$ 16.48	\$ 18.80		
STAINLESS STEEL	917-007	917-012	917-020	917-030	917-040	917-050	917-060	917-080	917-0120
	\$ 7.66	\$ 7.66	\$ 9.26	\$ 12.18	\$ 14.48	\$ 16.48	\$ 18.80	\$ 28.96	\$ 37.60
BRASS	917-207	917-212	917-220	917-230	917-240	917-250	917-260		
	\$ 7.66	\$ 7.66	\$ 9.26	\$ 12.18	\$ 14.48	\$ 16.48	\$ 18.80		
FOR MODEL 2000	920-107	920-112	920-120	920-130	920-140	920-150	920-160		
HARDENED STEEL	\$ 10.22	\$ 10.22	\$ 12.16	\$ 16.16	\$ 18.66	\$ 21.94	\$ 24.46		
STAINLESS STEEL	920-007	920-012	920-020	920-030	920-040	920-050	920-060	920-080	920-0120
	\$ 10.22	\$ 10.22	\$ 12.16	\$ 16.16	\$ 18.66	\$ 21.94	\$ 24.46	\$ 37.36	\$ 48.90
BRASS	920-207	920-212	920-220	920-230	920-240	920-250	920-260		
	\$ 10.22	\$ 10.22	\$ 12.16	\$ 16.16	\$ 18.66	\$ 21.94	\$ 24.46		

NEW STANDARD® MFG. CO

ADAPTABLE PADLOCK SYSTEM™

FOR SCHLAGE LARGE
FORMAT INTERCHANGEABLE
CORE CYLINDERS



ACCEPTS ALL SCHLAGE LARGE
FORMAT
INTERCHANGEABLE CORE
CYLINDERS INCLUDING PRIMUS
AND EVEREST

COMPETITIVELY PRICED

PATENTED

MADE IN U. S. A.

SYSTEM WIDE FEATURES
COMMON TO ALL MODELS

INVENTORS OF THE DUAL
FUNCTION PADLOCK
OUR NON-KEY RETAINING
CONVERTIBLE (NKR-CV) FUNCTION
PADLOCK'S PATENTED DESIGN
ALLOWS LOCKSMITH TO CHOOSE
PADLOCK FUNCTION; KR (KEY
RETAINING) OR NKR (NON-KEY
RETAINING) AT TIME OF CYLINDER
INSTALLATION. STOCK ONE MODEL
FOR EITHER FUNCTION REQUEST,
CUT INVENTORY IN HALF!
ECONOMICAL KR (KEY RETAINING)
ONLY MODEL ALSO AVAILABLE.

ELLIPTICAL SOLID BRASS BODY

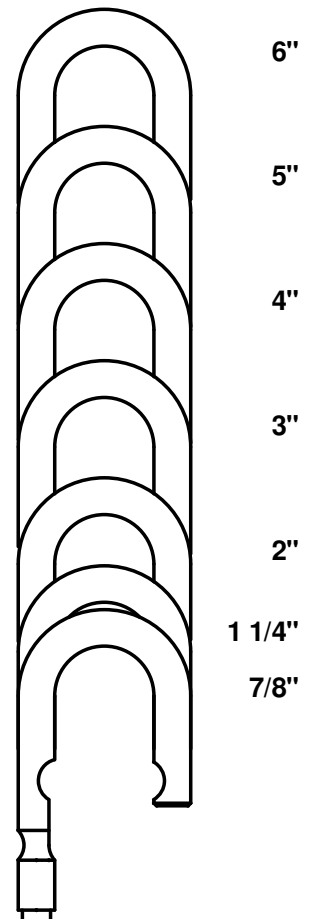
DOUBLE BALL LOCKING DESIGN

1 3/4" (MODEL 1750) OR 2" (MODEL
2000) BODY WIDTHS

FURNISHED: LESS CYLINDER

ALL PARTS ARE CORROSION
RESISTANT STAINLESS STEEL OR
BRASS AND ARE COMPLETELY
INTERCHANGEABLE.

3 SHACKLE MATERIALS:
HARDENED STEEL, STAINLESS
STEEL, AND BRASS, 7 BASIC
SHACKLE LENGTHS, 8" AND 12"
AVAILABLE IN STAINLESS STEEL.
(1 1/4" IS STANDARD)



DISTRIBUTED BY:

NEW STANDARD
MANUFACTURING COMPANY
7005 SPEEDWAY
BLVD., BLDG. F111
LAS VEGAS, NEVADA 89115
702-649-0599 FAX 702-649-0544
e-mail:
newstandardmfg@mindspring.com

PRICE LIST: NEW STANDARD PADLOCKS FOR SCHLAGE LARGE FORMAT INTERCHANGEABLE CORE CYLINDERS

September 1, 2011

PADLOCKS WITH HARDENED STEEL SHACKLES

DESCRIPTION	7/8"	1 1/4"	2"	3"	4"	5"	6"
1750 KR	189-107	189-112	189-120	189-130	189-140	189-150	189-160
KR FUNCTION ONLY	\$ 56.73	\$ 56.73	\$ 58.33	\$ 61.25	\$ 63.55	\$ 65.55	\$ 67.87
2000 KR	214-107	214-112	214-120	214-130	214-140	214-150	214-160
KR FUNCTION ONLY	\$ 67.74	\$ 67.74	\$ 69.68	\$ 73.68	\$ 76.18	\$ 79.46	\$ 81.98
1750 CONVERTIBLE	389-107	389-112	389-120	389-130	389-140	389-150	389-160
DUAL FUNCTION: KR OR NKR	\$ 57.79	\$ 57.79	\$ 59.39	\$ 62.31	\$ 64.61	\$ 66.61	\$ 68.93
2000 CONVERTIBLE	414-107	414-112	414-120	414-130	414-140	414-150	414-160
DUAL FUNCTION: KR OR NKR	\$ 68.80	\$ 68.80	\$ 70.74	\$ 74.74	\$ 77.24	\$ 80.52	\$ 83.04

PADLOCKS WITH STAINLESS STEEL SHACKLES

DESCRIPTION	7/8"	1 1/4"	2"	3"	4"	5"	6"
1750 KR	189-007	189-012	189-020	189-030	189-040	189-050	189-060
KR FUNCTION ONLY	\$ 56.73	\$ 56.73	\$ 58.33	\$ 61.25	\$ 63.55	\$ 65.55	\$ 67.87
2000 KR	214-007	214-012	214-020	214-030	214-040	214-050	214-060
KR FUNCTION ONLY	\$ 67.74	\$ 67.74	\$ 69.68	\$ 73.68	\$ 76.18	\$ 79.46	\$ 81.98
1750 CONVERTIBLE	389-007	389-012	389-020	389-030	389-040	389-050	389-060
DUAL FUNCTION: KR OR NKR	\$ 57.79	\$ 57.79	\$ 59.39	\$ 62.31	\$ 64.61	\$ 66.61	\$ 68.93
2000 CONVERTIBLE	414-007	414-012	414-020	414-030	414-040	414-050	414-060
DUAL FUNCTION: KR OR NKR	\$ 68.80	\$ 68.80	\$ 70.74	\$ 74.74	\$ 77.24	\$ 80.52	\$ 83.04

PADLOCKS WITH BRASS SHACKLES

DESCRIPTION	7/8"	1 1/4"	2"	3"	4"	5"	6"
1750 KR	189-207	189-212	189-220	189-230	189-240	189-250	189-260
KR FUNCTION ONLY	\$ 56.73	\$ 56.73	\$ 58.33	\$ 61.25	\$ 63.55	\$ 65.55	\$ 67.87
2000 KR	214-207	214-212	214-220	214-230	214-240	214-250	214-260
KR FUNCTION ONLY	\$ 67.74	\$ 67.74	\$ 69.68	\$ 73.68	\$ 76.18	\$ 79.46	\$ 81.98
1750 CONVERTIBLE	389-207	389-212	389-220	389-230	389-240	389-250	389-260
DUAL FUNCTION: KR OR NKR	\$ 57.79	\$ 57.79	\$ 59.39	\$ 62.31	\$ 64.61	\$ 66.61	\$ 68.93
2000 CONVERTIBLE	414-207	414-212	414-220	414-230	414-240	414-250	414-260
DUAL FUNCTION: KR OR NKR	\$ 68.80	\$ 68.80	\$ 70.74	\$ 74.74	\$ 77.24	\$ 80.52	\$ 83.04

PADLOCK BODIES ONLY, COMPLETE, LESS SHACKLE

DESCRIPTION	
1750 KR	189-000
KR FUNCTION ONLY	\$ 49.07
2000 KR	214-000
KR FUNCTION ONLY	\$ 57.52
1750 CONVERTIBLE	389-000
DUAL FUNCTION: KR OR NKR	\$ 50.13
2000 CONVERTIBLE	414-000
DUAL FUNCTION: KR OR NKR	\$ 58.58

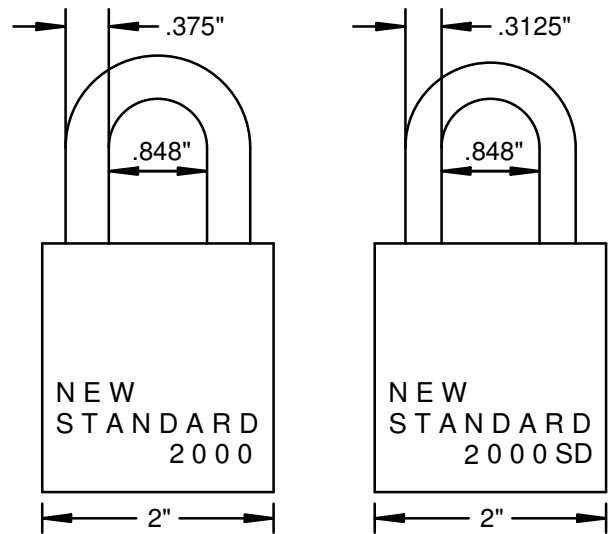
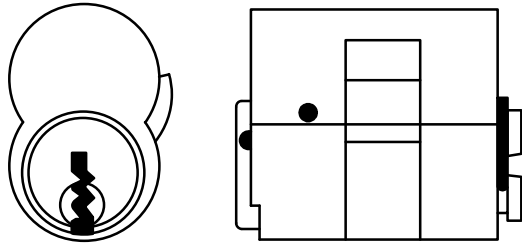
SHACKLES ONLY

DESCRIPTION	7/8"	1 1/4"	2"	3"	4"	5"	6"	8"	12"
FOR MODEL 1750	917-107	917-112	917-120	917-130	917-140	917-150	917-160		
HARDENED STEEL	\$ 7.66	\$ 7.66	\$ 9.26	\$ 12.18	\$ 14.48	\$ 16.48	\$ 18.80		
STAINLESS STEEL	\$ 7.66	\$ 7.66	\$ 9.26	\$ 12.18	\$ 14.48	\$ 16.48	\$ 18.80	\$ 28.96	\$ 37.60
BRASS	\$ 7.66	\$ 7.66	\$ 9.26	\$ 12.18	\$ 14.48	\$ 16.48	\$ 18.80		
FOR MODEL 2000	920-107	920-112	920-120	920-130	920-140	920-150	920-160		
HARDENED STEEL	\$ 10.22	\$ 10.22	\$ 12.16	\$ 16.16	\$ 18.66	\$ 21.94	\$ 24.46		
STAINLESS STEEL	\$ 10.22	\$ 10.22	\$ 12.16	\$ 16.16	\$ 18.66	\$ 21.94	\$ 24.46	\$ 37.36	\$ 48.90
BRASS	\$ 10.22	\$ 10.22	\$ 12.16	\$ 16.16	\$ 18.66	\$ 21.94	\$ 24.46		

NEW STANDARD® MFG. CO

ADAPTABLE PADLOCK SYSTEM™

FOR MEDECO
INTERCHANGEABLE
CORE CYLINDERS



ACCEPTS MEDECO 6-PIN
INTERCHANGEABLE CORE
CYLINDERS

AVAILABLE IN 2" BODY SIZE
(MODEL 2000) ONLY
STANDARD MODEL WITH 3/8"
DIAMETER SHACKLE OR NEW SD
(SMALL DIAMETER) MODEL WITH
5/16" DIAMETER SHACKLE

COMPETITIVELY PRICED

PATENTED

MADE IN U. S. A.

SYSTEM WIDE FEATURES
COMMON TO ALL MODELS

INVENTORS OF THE DUAL
FUNCTION PADLOCK
OUR NON-KEY RETAINING
CONVERTIBLE (NKR-CV) FUNCTION
PADLOCK'S PATENTED DESIGN
ALLOWS LOCKSMITH TO CHOOSE
PADLOCK FUNCTION; KR (KEY
RETAINING) OR NKR (NON-KEY
RETAINING) AT TIME OF CYLINDER
INSTALLATION. STOCK ONE MODEL
FOR EITHER FUNCTION REQUEST,
CUT INVENTORY IN HALF!
ECONOMICAL KR (KEY RETAINING)
ONLY MODEL ALSO AVAILABLE.

ELLIPTICAL SOLID BRASS BODY

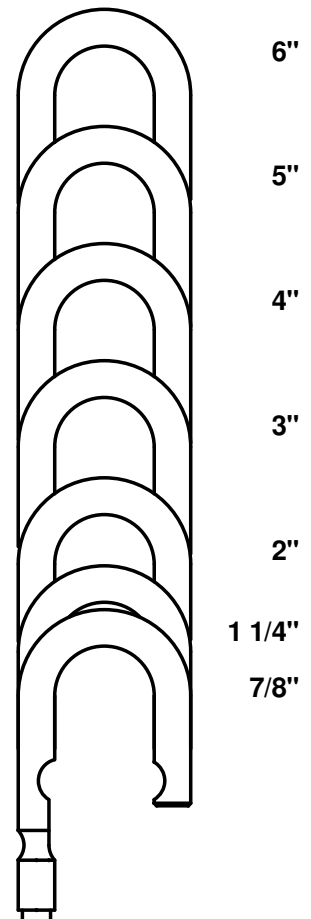
DOUBLE BALL LOCKING DESIGN

1 3/4" (MODEL 1750) OR 2" (MODEL
2000) BODY WIDTHS

FURNISHED: LESS CYLINDER

ALL PARTS ARE CORROSION
RESISTANT STAINLESS STEEL OR
BRASS AND ARE COMPLETELY
INTERCHANGEABLE.

3 SHACKLE MATERIALS:
HARDENED STEEL, STAINLESS
STEEL, AND BRASS, 7 BASIC
SHACKLE LENGTHS, 8" AND 12"
AVAILABLE IN STAINLESS STEEL.
(1 1/4" IS STANDARD)



DISTRIBUTED BY:

NEW STANDARD
MANUFACTURING COMPANY
7005 SPEEDWAY
BLVD., BLDG. F111
LAS VEGAS, NEVADA 89115
702-649-0599 FAX 702-649-0544
e-mail:
newstandardmfg@mindspring.com

PRICE LIST: NEW STANDARD PADLOCKS FOR MEDECO INTERCHANGEABLE CORE CYLINDERS

September 1, 2011

PADLOCKS WITH HARDENED STEEL SHACKLES

DESCRIPTION	7/8"	1 1/4"	2"	3"	4"	5"	6"
2000 KR SMALL DIAMETER KR FUNCTION ONLY	215-107SD \$ 65.18	215-112SD \$ 65.18	215-120SD \$ 66.78	215-130SD \$ 69.70	215-140SD \$ 72.00	215-150SD \$ 74.00	215-160SD \$ 76.32
2000 KR KR FUNCTION ONLY	215-107 \$ 67.74	215-112 \$ 67.74	215-120 \$ 69.68	215-130 \$ 73.68	215-140 \$ 76.18	215-150 \$ 79.46	215-160 \$ 81.98
2000 CONVERTIBLE SMALL DIAMETER DUAL FUNCTION: KR OR NKR	415-107SD \$ 66.24	415-112SD \$ 66.24	415-120SD \$ 67.84	415-130SD \$ 70.76	415-140SD \$ 73.06	415-150SD \$ 75.06	415-160SD \$ 77.38
2000 CONVERTIBLE DUAL FUNCTION: KR OR NKR	415-107 \$ 68.80	415-112 \$ 68.80	415-120 \$ 70.74	415-130 \$ 74.74	415-140 \$ 77.24	415-150 \$ 80.52	415-160 \$ 83.04

PADLOCKS WITH STAINLESS STEEL SHACKLES

DESCRIPTION	7/8"	1 1/4"	2"	3"	4"	5"	6"
2000 KR SMALL DIAMETER KR FUNCTION ONLY	215-007SD \$ 65.18	215-012SD \$ 65.18	215-020SD \$ 66.78	215-030SD \$ 69.70	215-040SD \$ 72.00	215-050SD \$ 74.00	215-060SD \$ 76.32
2000 KR KR FUNCTION ONLY	215-007 \$ 67.74	215-012 \$ 67.74	215-020 \$ 69.68	215-030 \$ 73.68	215-040 \$ 76.18	215-050 \$ 79.46	215-060 \$ 81.98
2000 CONVERTIBLE SMALL DIAMETER DUAL FUNCTION: KR OR NKR	415-007SD \$ 66.24	415-012SD \$ 66.24	415-020SD \$ 67.84	415-030SD \$ 70.76	415-040SD \$ 73.06	415-050SD \$ 75.06	415-060SD \$ 77.38
2000 CONVERTIBLE DUAL FUNCTION: KR OR NKR	415-007 \$ 68.80	415-012 \$ 68.80	415-020 \$ 70.74	415-030 \$ 74.74	415-040 \$ 77.24	415-050 \$ 80.52	415-060 \$ 83.04

PADLOCKS WITH BRASS SHACKLES

DESCRIPTION	7/8"	1 1/4"	2"	3"	4"	5"	6"
2000 KR SMALL DIAMETER KR FUNCTION ONLY	215-207SD \$ 65.18	215-212SD \$ 65.18	215-220SD \$ 66.78	215-230SD \$ 69.70	215-240SD \$ 72.00	215-250SD \$ 74.00	215-260SD \$ 76.32
2000 KR KR FUNCTION ONLY	215-207 \$ 67.74	215-212 \$ 67.74	215-220 \$ 69.68	215-230 \$ 73.68	215-240 \$ 76.18	215-250 \$ 79.46	215-260 \$ 81.98
2000 CONVERTIBLE SMALL DIAMETER DUAL FUNCTION: KR OR NKR	415-207SD \$ 66.24	415-212SD \$ 66.24	415-220SD \$ 67.84	415-230SD \$ 70.76	415-240SD \$ 73.06	415-250SD \$ 75.06	415-260SD \$ 77.38
2000 CONVERTIBLE DUAL FUNCTION: KR OR NKR	415-207 \$ 68.80	415-212 \$ 68.80	415-220 \$ 70.74	415-230 \$ 74.74	415-240 \$ 77.24	415-250 \$ 80.52	415-260 \$ 83.04

PADLOCK BODIES ONLY, COMPLETE, LESS SHACKLE

DESCRIPTION

2000 KR SMALL DIAMETER KR FUNCTION ONLY	215-000SD \$ 57.52
2000 KR KR FUNCTION ONLY	215-000 \$ 57.52
2000 CONVERTIBLE SMALL DIAMETER DUAL FUNCTION: KR OR NKR	415-000SD \$ 58.58
2000 CONVERTIBLE DUAL FUNCTION: KR OR NKR	415-000 \$ 58.58

SHACKLES ONLY

DESCRIPTION	7/8"	1 1/4"	2"	3"	4"	5"	6"	8"	12"
FOR MODEL 1750 HARDENED STEEL	917-107 \$ 7.66	917-112 \$ 7.66	917-120 \$ 9.26	917-130 \$ 12.18	917-140 \$ 14.48	917-150 \$ 16.48	917-160 \$ 18.80		
STAINLESS STEEL	917-007 \$ 7.66	917-012 \$ 7.66	917-020 \$ 9.26	917-030 \$ 12.18	917-040 \$ 14.48	917-050 \$ 16.48	917-060 \$ 18.80	917-080 \$ 28.96	917-0120 \$ 37.60
BRASS	917-207 \$ 7.66	917-212 \$ 7.66	917-220 \$ 9.26	917-230 \$ 12.18	917-240 \$ 14.48	917-250 \$ 16.48	917-260 \$ 18.80		
FOR MODEL 2000 HARDENED STEEL	920-107 \$ 10.22	920-112 \$ 10.22	920-120 \$ 12.16	920-130 \$ 16.16	920-140 \$ 18.66	920-150 \$ 21.94	920-160 \$ 24.46		
STAINLESS STEEL	920-007 \$ 10.22	920-012 \$ 10.22	920-020 \$ 12.16	920-030 \$ 16.16	920-040 \$ 18.66	920-050 \$ 21.94	920-060 \$ 24.46	920-080 \$ 37.36	920-0120 \$ 48.90
BRASS	920-207 \$ 10.22	920-212 \$ 10.22	920-220 \$ 12.16	920-230 \$ 16.16	920-240 \$ 18.66	920-250 \$ 21.94	920-260 \$ 24.46		